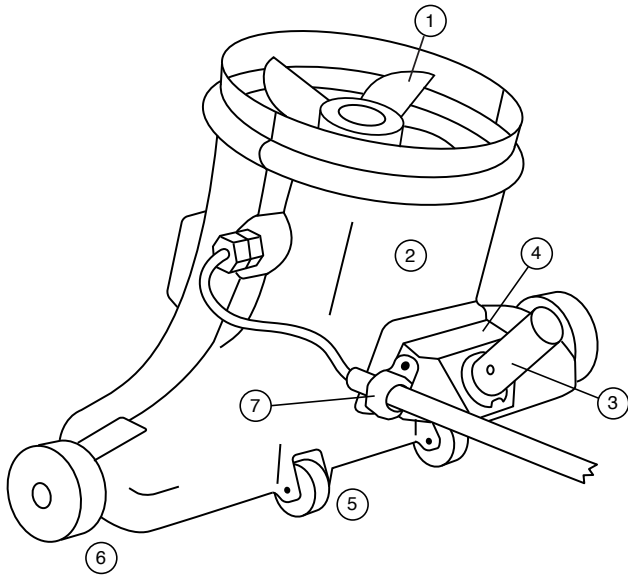


HAMMER·HEAD™

PATENTED PERFORMANCE

2010 SERVICE UNIT PARTS



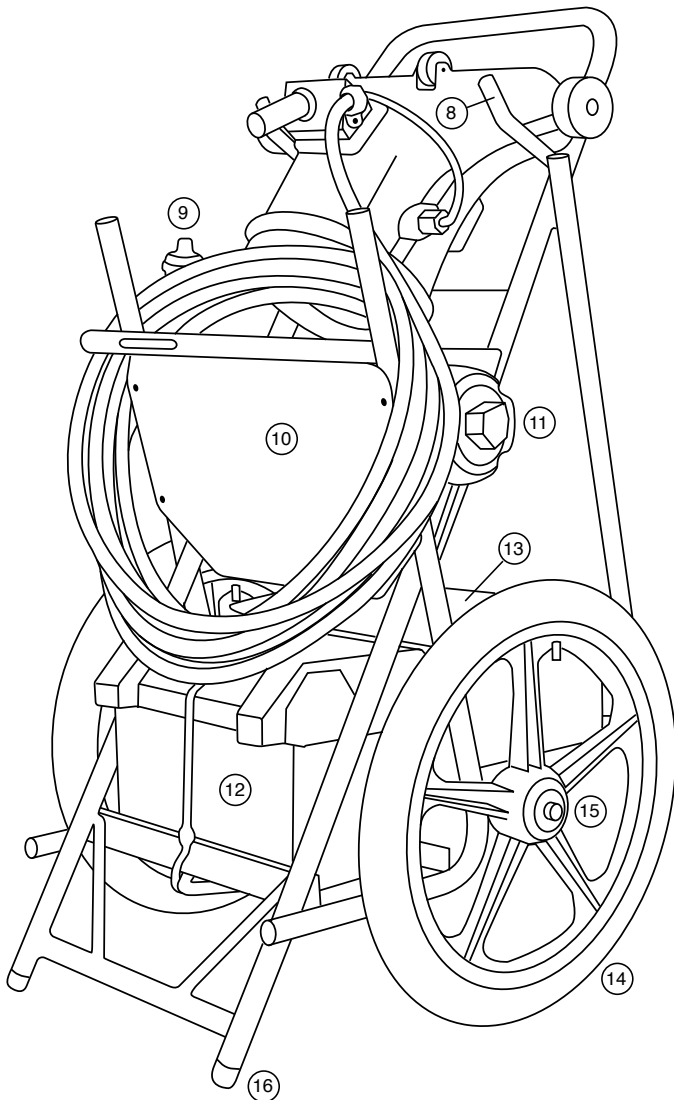
HAMMERHEAD SERVICE-21 VACUUM HEAD

- HH1305 40FT MOTOR/CORD (NO PROP)
- ① HH1003 3 BLADE PROP
- HH1010 PROP PIN
- HH1020 PROP NUT
- ② HH1030 21" SERVICE HEAD HALVES (EACH)
- ③ HH1225 SS POLE SWIVEL (no block)
- ④ HH1230 POLE YOKE ASSEMBLY COMPLETE
- ⑤ HH1155 SMALL DRAG WHEEL (w/hardware)
- ⑥ HH1150 LARGE WHEEL (w/bushing)
- HH1195 BRONZE BUSHING (for large wheels)
- ⑦ HH1146 STAINLESS CORD CLAMP

HH1310 21" SERVICE HEAD COMPLETE

Includes motor, prop, cord, 40FT of floating cord, 21" head, debris bag, and all hardware.

QUESTIONS ABOUT PARTS , REPAIRS,
OR CUSTOM ORDERS? CALL US!



HAMMERHEAD SERVICE-21 VACUUM UNIT

(MOUNT INCLUDED BUT NOT SHOWN)

- ⑧ HH1275 HEAD BRACKET PAD
- ⑨ HH5057 SOAP BOTTLE
- HH1120 SOAP BOTTLE CAGE
- ⑩ HH1085 V-TRAY SET (FRONT AND BACK)
- ⑪ HH1060 OLD STYLE ON/OFF SWITCH - PREWIRED
- HH1061 NEW STYLE MINI SWITCH - PREWIRED
- HH1080 FRAME PLUG SET (6)
- HH1125 24" BUNGEE CORD (TO SECURE HEAD)
- HH1130 18" BUNGEE CORD
- ⑫ HH5056 BATTERY BOX
- HH5055 ACCESSORY BOX - LIGHT DUTY
- ⑬ HH5055B ACCESSORY BOX - HEAVY DUTY
- HH1052 SS AXLE
- HH1052A WHEEL BEARING (each, two per wheel req'd)
- HH1052SS STAINLESS WHEEL BEARINGS (EACH)
- ⑭ HH1050 20" WHEEL COMPLETE W/SOLID TIRE
- HH1050A REPLACEMENT 20" INNER TUBE
- HH1050B REPLACEMENT 20" BLUE TIRE
- ⑮ HH1251 SS AXLE SHAFT COLLAR
- ⑯ HH1075 CART LEG SKID (EACH)

HAMMERHEAD SERVICE-21 VACUUM UNIT (FORMERLY 9130 SERVICE UNIT)

Includes cart, 21" head, 40' cord, motor, prop, trailer mount with hardware, and 2 debris bags. (does not include battery, battery charger, or pole)