

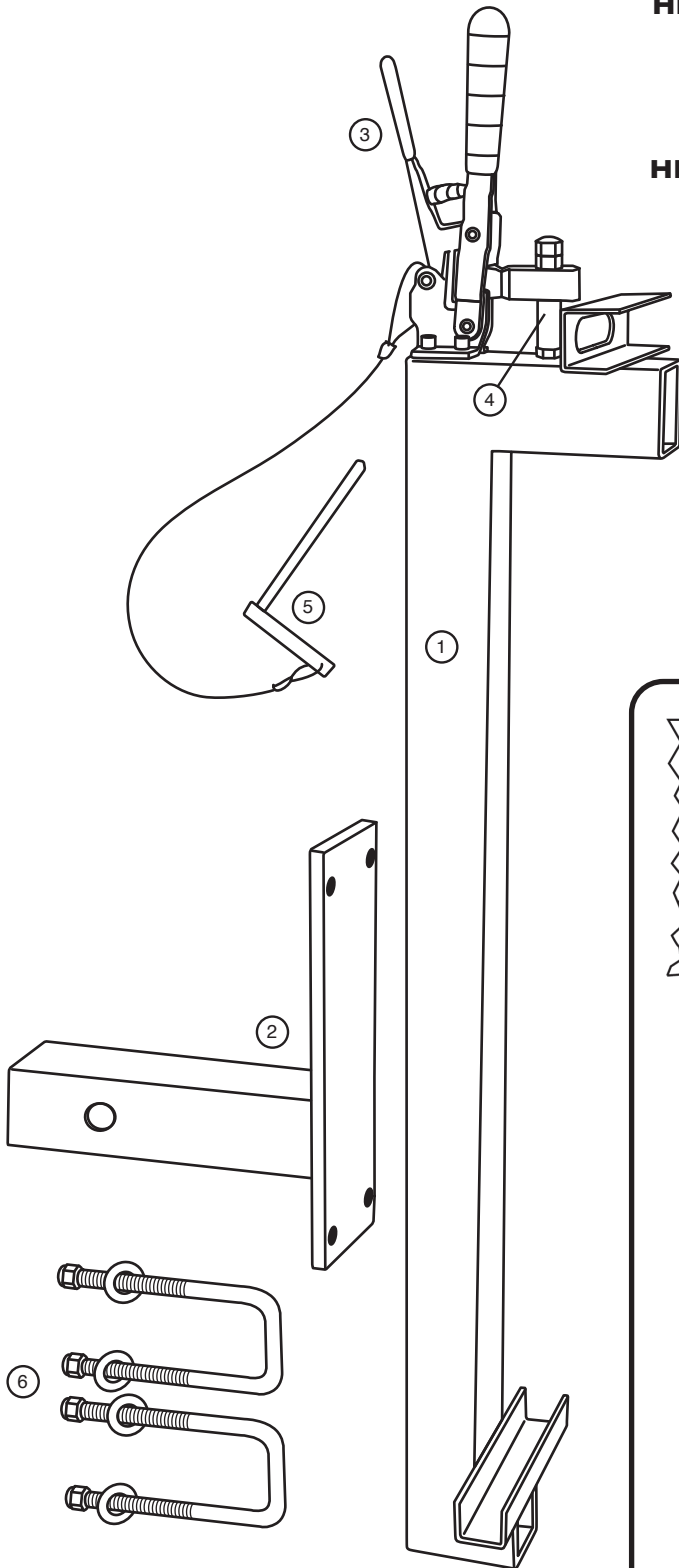
HAMMER-HEAD™

PATENTED PERFORMANCE

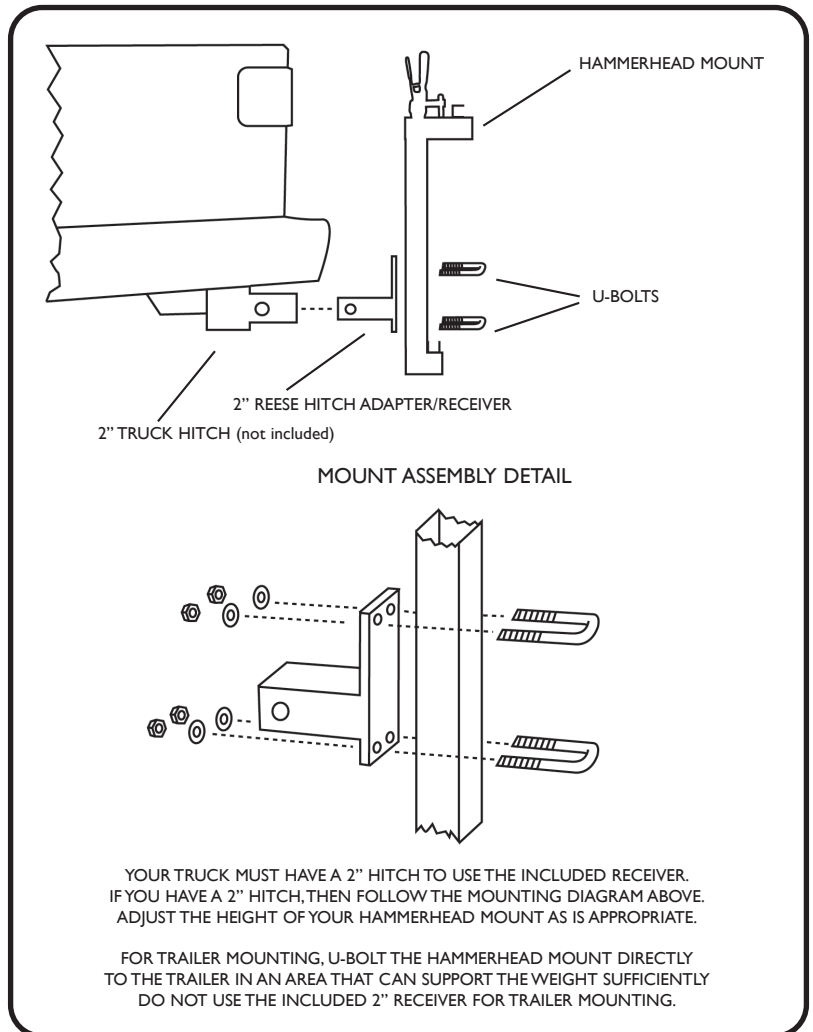
2009 MOUNT PARTS

HHI 300 COMPLETE MOUNT ASSEMBLY
Includes mount, toggle clamp, L-Pin and cable, 2" Reese hitch adapter and U-bolt hardware

HHI 300X MOUNT ASSEMBLY W/O HITCH ADAPTER
Includes mount, toggle clamp, L-Pin and cable, and U-bolt hardware



- | | | |
|---|----------|---|
| ① | HHI 304 | TRAILER MOUNT UPRIGHT |
| ② | HHI 301 | 2" REESE HITCH ADAPTER |
| ③ | HHI 165 | TOGGLE CLAMP LATCH |
| ④ | HHI 195B | LATCHING BOLT SET (for toggle clamp) |
| ⑤ | HHI 175 | SAFETY L-PIN |
| | HHI 175G | SAFETY L-PIN W/CABLE |
| | HHI 210 | U-BOLT |
| ⑥ | HHI 210A | U-BOLT MOUNTING SET |
| | | Includes 2 U-Bolts, 4 washers, and 4 locknuts - Zinc plated |



QUESTIONS ABOUT PARTS , REPAIRS,
OR CUSTOM ORDERS? CALL US!